

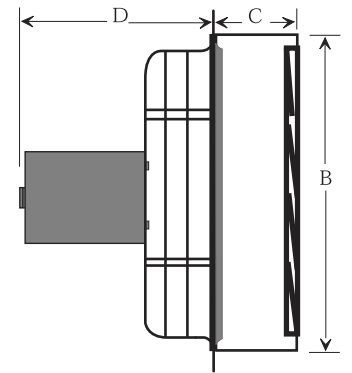
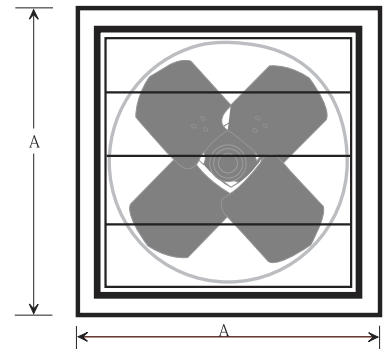
# AX: SHUTTER MOUNTED FANS



- \*Sturdily constructed from all-aluminum extrusions.
- \*Standard heavy duty OSHA motor mount guard.
- \*Motors are totally enclosed, air over with overload protection.
- \*See page 16 for accessories.



<b>Model AX: Shutter Mounted Fan c/w OSHA Guard</b>									
Leader Fan Number	Blade Dia.	RPM	H.P.	Volts	CFM @ Static Pressure				Weight Lbs.
					0"	0.1"	0.125"	.25"	
<b>Single Speed/Variable Speed Fans</b>									
AX12-1V	12"	1700	1/4	115/230	1650	1560	1525	1400	26
AX12-1VHE		1450	0.07	115	1350	1290	1275	1150	22
AX14-1V	14"	1700	1/4	115/230	2170	2030	1950	1900	29
AX14-1VHE		1450	0.07	115	1600	1525	1500	1300	25
AX16-1V	16"	1700	1/4	115/230	2570	2470	2410	2260	30
AX16-1VHE		1450	0.07	115	1850	1750	1700	1550	26
AX18-1	18"	1700	1/4	115/230	3150	3000	2900	2575	36
AX20-1	20"	1700	1/3	115/230	3620	3420	3340	3120	39
AX24-1V	24"	1700	1/3	115/230	5500	5400	5310	5100	43
<b>Single Speed Fan</b>									
AX12-2	12"	1100	1/3	115/230	1100	930	880	600	27
AX14-2	14"	1100	1/3	115/230	1750	1550	1500	1100	30
AX16-2	16"	1100	1/3	115/230	2150	2075	2000	1700	31
AX18-2	18"	1100	1/3	115/230	3200	3000	2900	2750	37
AX20-2	20"	1100	1/3	115/230	4400	4200	4100	3900	39
AX24-2	24"	1100	1/3	115/230	5300	5050	4950	4700	45
AX30-2	30"	1075	1/2	115/230	8000	7000	6000	5500	72
AX36-7	36"	860	1/2	115/230	12000	11000	10500	9500	88
<b>Two Speed Fans</b>									
AX08-3	8"	1600/1350	0.05	115	400/330	320/260	280/230	180/140	14
AX10-3	10"	1600/1350	0.05	115	690/580	590/460	570/390	550/340	14
AX12-3	12"	1725/1140	1/4	115	1670/1100	1600/950	1575/900	1450/625	27
AX14-3	14"	1725/1140	1/4	115	2190/1440	2080/1325	2000/1300	1950/850	31
AX16-3	16"	1725/1140	1/4	115	2580/1770	2480/1620	2430/1560	2270/1020	34
AX18-3	18"	1725/1140	1/4	115	3200/2130	3050/2030	2950/1960	2625/1750	38
AX20-3	20"	1725/1140	1/3	115	3640/2420	3440/2270	3360/2210	3140/1890	41
AX24-3	24"	1075/860	1/3	115	5300/4240	5050/4040	4950/3960	4700/3760	47
<b>Single Speed Explosion Proof Fans</b>									
AX12-4	12"	1725	1/3	115/230	1670	1600	1575	1450	49
AX14-4	14"	1725	1/3	115/230	2190	2080	2000	1950	49
AX16-4	16"	1725	1/3	115/230	2580	2480	2430	2270	51
AX18-4	18"	1725	1/3	115/230	3200	3050	2950	2625	56
AX20-4	20"	1725	1/3	115/230	3640	3440	3360	3140	57
AX24-4	24"	1725	1/3	115/230	5520	5410	5330	5130	54



Model Number	A	B	C	D*	
				AX	AX-4
AX08	14-3/4	11-3/4	5	6-1/2	-
AX10			5		-
AX12	16-3/4	13-3/4	5	11	13-3/4
AX14	18-3/4	15-3/4	5		
AX16	20-3/4	17-3/4	5		
AX18	22-3/4	19-3/4	5		
AX20	24-3/4	21-3/4	5	11-1/4	14
AX24	28-3/4	25-3/4	5	11	13-3/4
AX30	35-1/4	32-3/4	5	13-1/4	-
AX36	41-1/4	38-3/4	5	13-1/2	-

\*Sizes are approximates and may vary based on motor manufacturer.

\*NEW - Explosion proof motors are Class 1 - Group C & D, and Class 2 - Group F & G.