



ENVIROFAN CEILING FANS

ASSEMBLY AND INSTALLATION INSTRUCTIONS

READ BOTH SIDES OF THIS SHEET CAREFULLY BEFORE ASSEMBLING OR INSTALLING YOUR ENVIROFAN.

IT IS IMPORTANT THAT YOU OBSERVE ALL SAFETY INFORMATION TO HELP PREVENT PERSONAL INJURY AND/OR PROPERTY DAMAGE.

FOLLOWING THESE INSTRUCTIONS WILL ALSO HELP MAXIMIZE PRODUCT SUCCESS AND HELP PREVENT POSSIBLE INVALIDATION OF YOUR WARRANTY.

Parts List

1. 1 - Pre-assembled fan without blades.
2. 3 - Blades with brackets attached.
3. 6 - Bolts attached to motor housing.
4. 1 - J-Hook mounting bolt (or screw for 190A-7).
5. 2 each - lock washers, flat washers, nuts.
6. 1 - J-Hook secondary support bolt (except 190A-7).
7. 1 - EZ Mount bracket (except 190A & FP models).

Unpacking

1. Carefully remove fan and parts from carton and check for shipping damage.
2. Check parts list against carton contents.
3. Do not install blades before mounting fan.
4. Connect fan to temporary power source to check electrical operation.

Electrical Hook-Up

1. **Model F & FP Fans:** Black to Black
White to White
Green (Ground)
Red (capped off)
2. **Model C Fans :*** Black to Black (down blowing)
Red to Black (up blowing)
White to White
Green (Ground)
3. **Models 60F-7, 160F-7, 190A-7:** These models are manufactured with a cord and molded 3 prong plug which can be installed directly into a 3-way electrical box.

* The Models 60C and 160C can be wired as a combination fan (both up and down blowing) by installing a reversing pole switch (108C control) in the line between the fan and the control. Reversible fans operate most effectively with straight blades which come standard on all C Models. **Caution:** Do not flip switch to change fan direction without waiting for motor to stop. Damage to motor could occur.

Note: For all low noise applications (i.e., churches, theaters, etc.) we recommend using a dehummer control (TF5).

AGRIFAN	190A-7	24 lbs.
ENVIROFAN	160F, 160C	24 lbs.
	60F, 60C	21 lbs.
	48F, 48C	18 lbs.
	FP56	18 lbs.
	136F	18 lbs.

Tools and Supplies Needed

1. Screwdriver - Slot and Phillips.
2. Wrench - Adjustable or 1/2", 9/16", and 10 mm.
3. Electrical Wire Connectors - 2 or 3.
4. Metal Outlet Box - Grounded, single receptacle.
5. Solid State Speed Control.

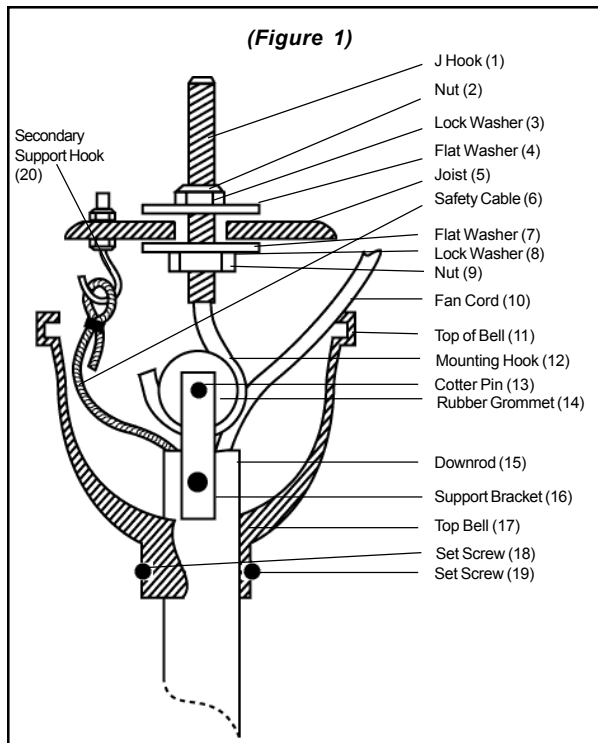
Safety Precautions

1. This fan should be installed by qualified persons only in accordance with all applicable codes and standards.
2. Use this fan only in the manner intended by the manufacturer. It is intended for permanent installation and to be used for air circulation only.
3. The secondary support cable included with the fan must be properly connected.
4. The fan shall be supported 1) directly from the building structure or 2) directly from UL approved fan electrical box using EZ Mount hardware. **Caution:** To reduce risk of injury, use only the enclosed hardware as the primary means of support.
5. Do not bend the blade brackets when installing the blades or cleaning the fan. Do not insert fingers or foreign objects into rotating fan, or block or tamper with it in any manner while it is operating.
6. Ceiling fans without guards are to be installed at least ten feet above floor with adequate clearance between blades and adjacent walls, furnishings, etc.
7. When mounted in a cathedral ceiling, blade tips should be at least one foot from the angled roof line or air turbulence may cause fan to sway.
8. The supporting beam must be capable of holding at least 80 pounds (or the weight of the fan plus any accessories that might be added).
9. Ceiling fans installed with ceiling fan guards must be installed with J bolt hardware provided, and must be attached directly to the building structure.

Before Installation

1. Disconnect power at main service panel. Lock in open position and tag it to prevent unexpected power application.
2. Check that power source conforms to electrical requirements of fan.
3. Make sure outlet box is metal, UL listed for fans, and capable of supporting at least 35 pounds.
4. Make sure outlet box is grounded.

Step #1 Hanging the Fan



J-Hook Mount (Figure 1)

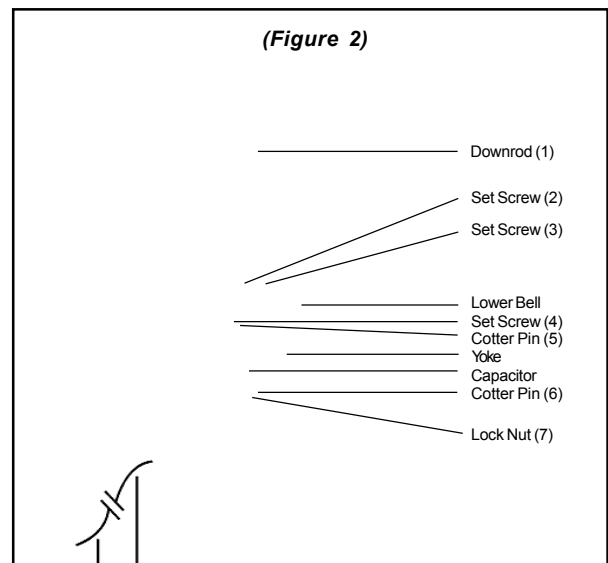
1. Wind one nut (9) down to bottom of J-Hook (1) towards the curve. Add a lock washer (8), then a flat washer (7) on top of nut.
2. Put hook through opening in joist. Add flat washer (4), then lock washer (3), and nut (2). Do not tighten nut completely until fan is put in place on J-Hook (Step 4).
3. Loosen set screws (18) and (19) of top bell (17) on fan downrod (15) and lower the bell to make room to place rubber grommet (14) onto Mounting Hook (12).
4. Tighten top nut (2) on J-Hook to raise fan into the proper installation position.
5. Install secondary support hook (20) next to mounting hook so both will fit within area of top bell (*Note: Model 190A-7 does not offer secondary support hook*).
6. Double loop (figure-eight) the safety cable loop (6) over the secondary support hook (20), leaving some slack (*Note: Model 190A-7 does not offer safety cable*).
7. Safety cable loop can be clamped for more security.
8. Wire fan according to directions below. Ensure power to outlet box is off before hooking up wiring.
9. Move top bell back up the downrod to cover both mounting and support hooks. Leave 1/8" gap between top of bell (11) and hanging surface (so downrod does not move off center which could make fan wobble or vibrate). Tighten set screws (18) and (19).

EZ Mount - Box mount. See enclosed instructions.

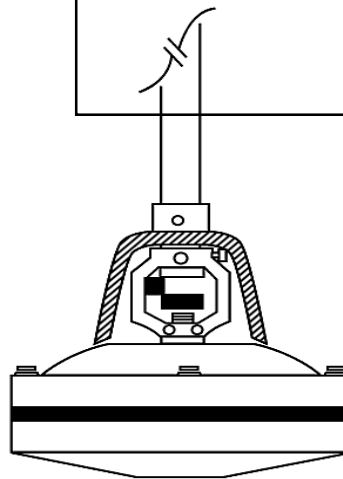
Step #2 Attaching Blades

1. Bolts, flat washers, lock washers and fiber pads for attaching blades are located on the motor housing.
2. Brackets come already installed on blades.
3. For each blade remove 2 bolts. Replace in blade bracket with lock washer and flat washer between bolt and bracket (lock washer against bolt).
4. Leaving fiber pad in place on motor housing, set bracket over holes and reinstall the bolts in their original holes. Tighten into motor housing. Do not over tighten.
5. When all three blades are attached turn power back on and test fan function.

Step #3 Product Safety Inspection (After Installation)



product safety inspection stallation.



- 3) is in place and secure.
- 4) (6) is in correct position.
- (2) and (9) are secure on

set screws (18) and (19) are
have 1/8" between bell and

1. **Important**--make sure set screw (4) is tight to assure wobble-free operation.
2. Make sure cotter pin (5) is in place and secure.
3. Make sure lock-nut (7) is tight and cotter pin (6) is in place and secure.
4. Make sure lower bell set screws (2) and (3) are tight on downrod (1). Leave 1/8" of space between bell and fan.

Envirofan Accessories Available

- Protecto-Guard Ceiling Fan Guard** - Patented guard fits fans 36" to 60". For any fan that requires protection or a safety guard.
- Downrod Extension Kit** - 30" downrod extension kit.
- Fan Controls** - A complete line of infinite speed, transformer and reversing fan controls.